

# Solar DC String Box



600V 1000V 1500V  
Combiner Boxes





# Solar DC String Box

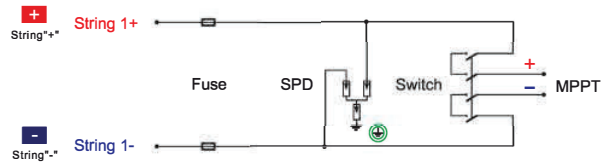
## 1 in 1 out DC 1000V



General Data		DC Surge Arrester	BUD-40/3
Model No.	BHS-1/1	Max Operation Voltage (Ucpv)	1000V
Input	1 string	Standard Compliance with	EN 50539 Type 2
Output	1 string	Maximum Discharge Current	40 KA
Maximum Voltage	1000V	Certification	TUV CE
Max DC Short Circuit Current Per Input (Isc)	15A (Changeable)		
Maximum Current Output	32A		
Enclosure		DC fuse holder	BR-30
Material Type	Polycarbonate/ABS	LED Indicator	Yes
Degree of Protection	IP65	Rated Working Voltage	1000V
Degree of Resistance to Impacts	IK10	Fuse Link	10x38mm LITTEL 15A
Dimension (WxHxD)	292 x 220 x 120mm	Certification	UL, CB, CE
Cable input Entry	PG09 Cable Gland, 2.5-16mm <sup>2</sup>		
Output Cable Gland	PG21 2.5-16mm <sup>2</sup>		
DC Switch Disconnecter		Environment	
Rated Insulation Voltage (Ui)	1000V	Operating Temperature	-20°C~+60°C
Rated Current (Ie)	32A	Humidity	99%
Category	DC21B/PV2	Altitude	2000M
Standard Compliance with	IEC 60947-3	Installation	Wall Mounting
Certification	UL, TUV, KEMA, SAA, CE		



BHS-1/1





## Solar Combiner Box

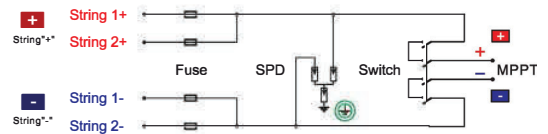
2 in 1 out DC 1000V



General Data		DC Surge Arrester	BUD-40/3
Model No.	BHS-2/1	Max Operation Voltage (Uc <sub>pv</sub> )	1000V
Input	2 strings	Standard Compliance with	EN 50539 Type 2
Output	1 string	Maximum Discharge Current	40 KA
Maximum Voltage	1000V	Certification	TUV CE
Max DC Short Circuit Current Per Input (I <sub>sc</sub> )	15A (Changeable)		
Maximum Current Output	32A		
Enclosure		DC fuse holder	BR-30
Material Type	Polycarbonate/ABS	LED Indicator	Yes
Degree of Protection	IP65	Rated Working Voltage	1000V
Degree of Resistance to Impacts	IK10	Fuse Link	10x38mm LITTEL 15A
Dimension (WxHxD)	292 x 220 x 120mm	Certification	UL, CB, CE
Cable input Entry	PG09 Cable Gland, 2.5-16mm <sup>2</sup>		
Output Cable Gland	PG21 2.5-16mm <sup>2</sup>		
DC Switch Disconnecter		Environment	
Rated Insulation Voltage (Ui)	1000V	Operating Temperature	-20°C~+60°C
Rated Current (I <sub>e</sub> )	32A	Humidity	99%
Category	DC21B/PV2	Altitude	2000M
Standard Compliance with	IEC 60947-3	Installation	Wall Mounting
Certification	UL, TUV, KEMA, SAA, CE		



BHS-2/1





# Solar DC String Box

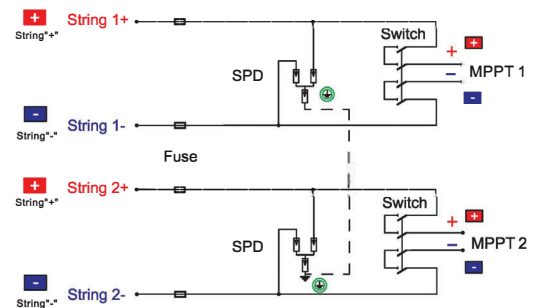
## 2 in 2 out DC 1000V



General Data		DC Surge Arrester	BUD-40/3
Model No.	BHS-2/2	Max Operation Voltage (Ucpv)	1000V
Input	2 strings	Standard Compliance with	EN 50539 Type 2
Output	2 strings	Maximum Discharge Current	40 KA
Maximum Voltage	1000V	Certification	TUV CE
Max DC Short Circuit Current Per Input (Isc)	15A (Changeable)		
Maximum Current Output	32A		
Enclosure		DC fuse holder	BR-30
Material Type	Polycarbonate/ABS	LED Indicator	Yes
Degree of Protection	IP65	Rated Working Voltage	1000V
Degree of Resistance to Impacts	IK10	Fuse Link	10x38mm LITTEL 15A
Dimension (WxHxD)	292 x 370 x 132mm	Certification	UL, CB, CE
Cable input Entry	PG09 Cable Gland, 2.5-16mm <sup>2</sup>		
Output Cable Gland	PG21 2.5-16mm <sup>2</sup>		
DC Switch Disconnecter		Environment	
Rated Insulation Voltage (Ui)	1000V	Operating Temperature	-20°C~+60°C
Rated Current (Ie)	32A	Humidity	99%
Category	DC21B/PV2	Altitude	2000M
Standard Compliance with	IEC 60947-3	Installation	Wall Mounting
Certification	UL, TUV, KEMA, SAA, CE		



BHS-2/2



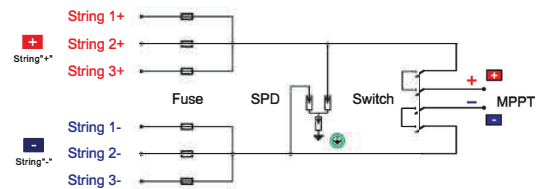
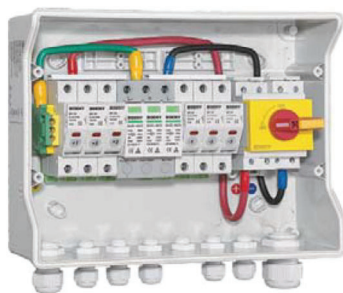


# Solar Combiner Box

## 3 in 1 out DC 1000V



<b>General Data</b>		<b>DC Surge Arrester</b>	<b>BUD-40/3</b>
Model No.	BHS-3/1	Max Operation Voltage (Ucpv)	1000V
Input	3 strings	Standard Compliance with	EN 50539 Type 2
Output	1 string	Maximum Discharge Current	40 KA
Maximum Voltage	1000V	Certification	TUV CE
Max DC Short Circuit Current Per Input (Isc)	15A (Changeable)		
Maximum Current Output	32A		
<b>Enclosure</b>		<b>DC fuse holder</b>	<b>BR-30</b>
Material Type	Polycarbonate/ABS	LED Indicator	Yes
Degree of Protection	IP65	Rated Working Voltage	1000V
Degree of Resistance to Impacts	IK10	Fuse Link	10x38mm LITTEL 15A
Dimension (WxHxD)	292 x 220 x 120mm	Certification	UL, CB, CE
Cable input Entry	PG09 Cable Gland, 2.5-16mm <sup>2</sup>		
Output Cable Gland	PG21 2.5-16mm <sup>2</sup>		
<b>DC Switch Disconnecter</b>		<b>Environment</b>	
Rated Insulation Voltage (Ui)	1000V	Operating Temperature	-20°C~+60°C
Rated Current (Ie)	32A	Humidity	99%
Category	DC21B/PV2	Altitude	2000M
Standard Compliance with	IEC 60947-3	Installation	Wall Mounting
Certification	UL, TUV, KEMA, SAA, CE		



**BHS-3/1**

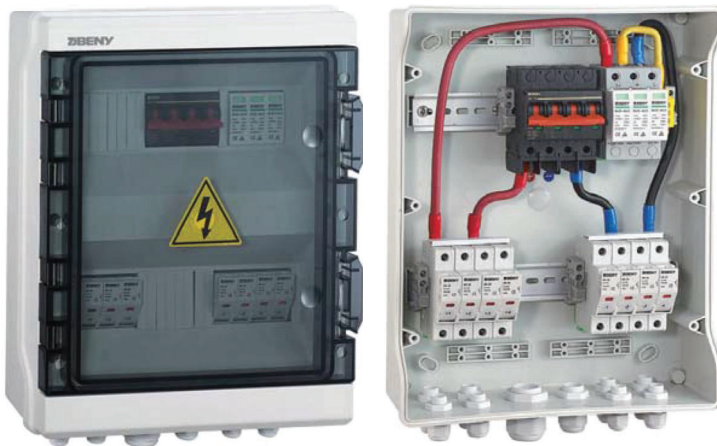


# Solar Combiner Box

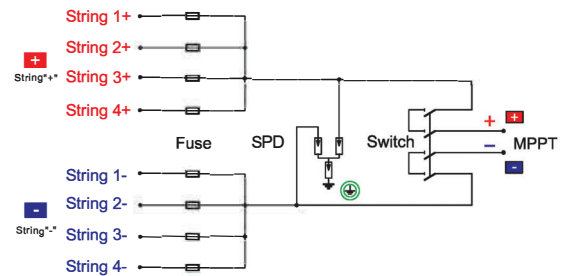
## 4 in 1 out DC 1000V



General Data		DC Surge Arrester	BUD-40/3
Model No.	BHS-4/1	Max Operation Voltage (Ucpv)	1000V
Input	4 strings	Standard Compliance with	EN 50539 Type 2
Output	1 string	Maximum Discharge Current	40 KA
Maximum Voltage	1000V	Certification	TUV CE
Max DC Short Circuit Current Per Input (Isc)	15A (Changeable)		
Maximum Current Output	63A		
Enclosure		DC fuse holder	BR-30
Material Type	Polycarbonate/ABS	LED Indicator	Yes
Degree of Protection	IP65	Rated Working Voltage	1000V
Degree of Resistance to Impacts	IK10	Fuse Link	10x38mm LITTEL 15A
Dimension (WxHxD)	292 x 370x 132mm	Certification	UL, CB, CE
Cable input Entry	PG09 Cable Gland, 2.5-16mm <sup>2</sup>		
Output Cable Gland	PG21 2.5-16mm <sup>2</sup>		
DC Switch Disconnecter		Environment	
Rated Insulation Voltage (Ui)	1000V	Operating Temperature	-20°C~+60°C
Rated Current (Ie)	63A	Humidity	99%
Category	DC21B	Altitude	2000M
Standard Compliance with	IEC 60947-3	Installation	Wall Mounting
Certification	CB, CE		



BHS-4/1



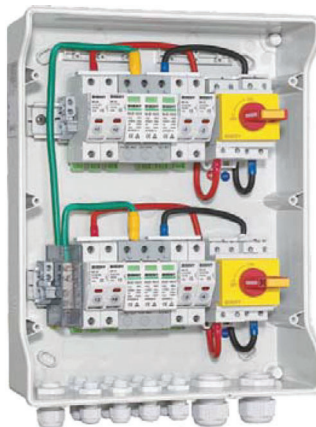


# Solar Combiner Box

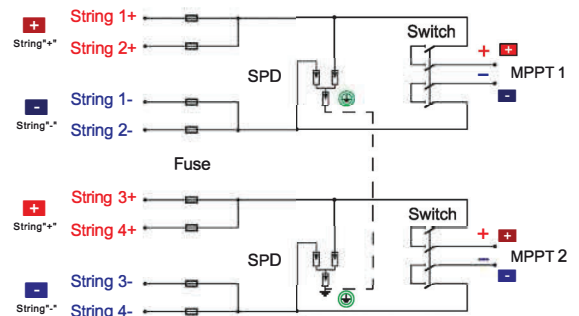
## 4 in 2 out DC 1000V



General Data		DC Surge Arrester	BUD-40/3
Model No.	BHS-4/2	Max Operation Voltage (Ucpv)	1000V
Input	4 strings	Standard Compliance with	EN 50539 Type 2
Output	2 strings	Maximum Discharge Current	40 KA
Maximum Voltage	1000V	Certification	TUV CE
Max DC Short Circuit Current Per Input (Isc)	15A (Changeable)		
Maximum Current Output	32A		
Enclosure		DC fuse holder	BR-30
Material Type	Polycarbonate/ABS	LED Indicator	Yes
Degree of Protection	IP65	Rated Working Voltage	1000V
Degree of Resistance to Impacts	IK10	Fuse Link	10x38mm LITTEL 15A
Dimension (WxHxD)	292 x370 x 132mm	Certification	UL, CB, CE
Cable input Entry	PG09 Cable Gland, 2.5-16mm <sup>2</sup>		
Output Cable Gland	PG21 2.5-16mm <sup>2</sup>		
DC Switch Disconnecter		Environment	
Rated Insulation Voltage (Ui)	1000V	Operating Temperature	-20°C~+60°C
Rated Current (Ie)	32A	Humidity	99%
Category	DC21B/PV2	Altitude	2000M
Standard Compliance with	IEC 60947-3	Installation	Wall Mounting
Certification	UL, TUV, KEMA, SAA, CE		



BHS-4/2





# Solar Combiner Box

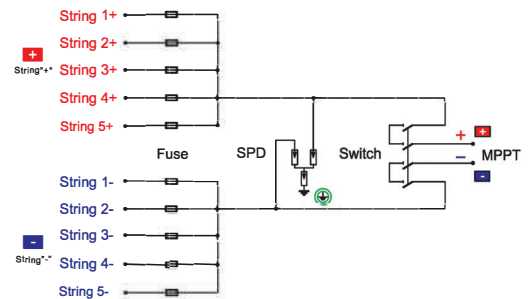
## 5 in 1 out DC 1000V



General Data		DC Surge Arrester	BUD-40/3
Model No.	BHS-5/1	Max Operation Voltage (Ucpv)	1000V
Input	4 strings	Standard Compliance with	EN 50539 Type 2
Output	1 string	Maximum Discharge Current	40 KA
Maximum Voltage	1000V	Certification	TUV CE
Max DC Short Circuit Current Per Input (Isc)	15A (Changeable)		
Maximum Current Output	63A		
Enclosure		DC fuse holder	BR-30
Material Type	Polycarbonate/ABS	LED Indicator	Yes
Degree of Protection	IP65	Rated Working Voltage	1000V
Degree of Resistance to Impacts	IK10	Fuse Link	10x38mm LITTEL 15A
Dimension (WxHxD)	292 x 370x 132mm	Certification	UL, CB, CE
Cable input Entry	PG09 Cable Gland, 2.5-16mm <sup>2</sup>		
Output Cable Gland	PG21 2.5-16mm <sup>2</sup>		
DC Switch Disconnecter		Environment	
Rated Insulation Voltage (Ui)	1000V	Operating Temperature	-20°C~+60°C
Rated Current (Ie)	63A	Humidity	99%
Category	DC21B	Altitude	2000M
Standard Compliance with	IEC 60947-3	Installation	Wall Mounting
Certification	CB, CE		



BHS-5/1





# Solar Combiner Box

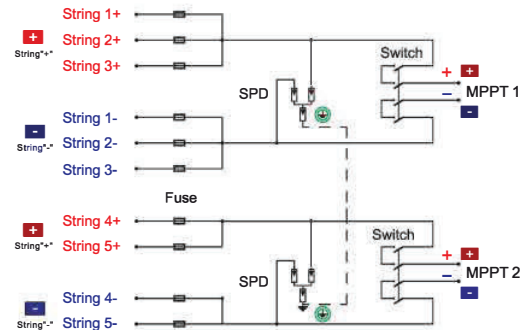
## 5 in 2 out DC 1000V



General Data		DC Surge Arrester	BUD-40/3
Model No.	BHS-5/2	Max Operation Voltage (Ucpv)	1000V
Input	4 strings	Standard Compliance with	EN 50539 Type 2
Output	2 strings	Maximum Discharge Current	40 KA
Maximum Voltage	1000V	Certification	TUV CE
Max DC Short Circuit Current Per Input (Isc)	15A (Changeable)		
Maximum Current Output	32A		
Enclosure		DC fuse holder	BR-30
Material Type	Polycarbonate/ABS	LED Indicator	Yes
Degree of Protection	IP65	Rated Working Voltage	1000V
Degree of Resistance to Impacts	IK10	Fuse Link	10x38mm LITTEL 15A
Dimension (WxHxD)	292 x370 x 132mm	Certification	UL, CB, CE
Cable input Entry	PG09 Cable Gland, 2.5-16mm <sup>2</sup>		
Output Cable Gland	PG21 2.5-16mm <sup>2</sup>		
DC Switch Disconnecter		Environment	
Rated Insulation Voltage (Ui)	1000V	Operating Temperature	-20°C~+60°C
Rated Current (Ie)	32A	Humidity	99%
Category	DC21B/PV2	Altitude	2000M
Standard Compliance with	IEC 60947-3	Installation	Wall Mounting
Certification	UL, TUV, KEMA, SAA, CE		



BHS-5/2





# Solar Combiner Box

## 6 in 1 out DC 1000V



### General Data

Model No.	BHS-6/1
Input	6 strings
Output	1 string
Maximum Voltage	1000V
Max DC Short Circuit Current Per Input (Isc)	15A (Changeable)
Maximum Current Output	80A

### DC Surge Arrester

### BUD-40/3

Max Operation Voltage (Ucpv)	1000V
Standard Compliance with	EN 50539 Type 2
Maximum Discharge Current	40 KA
Certification	TUV CE

### Enclosure

Material Type	Polycarbonate/ABS
Degree of Protection	IP65
Degree of Resistance to Impacts	IK10
Dimension (WxHxD)	540 x 360x 180mm
Cable input Entry	PG09 Cable Gland, 2.5-16mm <sup>2</sup>
Output Cable Gland	PG36 50-70mm <sup>2</sup>

### DC fuse holder

### BR-30

LED Indicator	Yes
Rated Working Voltage	1000V
Fuse Link	10x38mm LITTEL 15A
Certification	UL, CB, CE

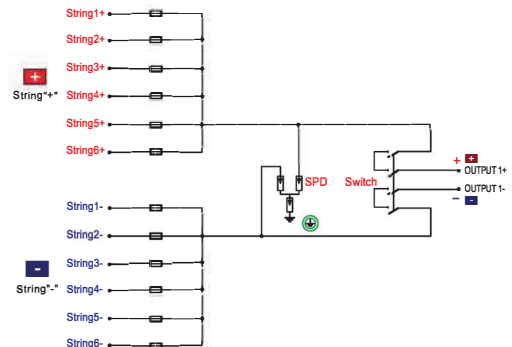
### DC Switch Disconnecter

### BDH-125

Rated Insulation Voltage (Ui)	1000V
Rated Current (Ie)	125A
Standard Compliance with	IEC 60947-3
Certification	CB, CE

### Environment

Operating Temperature	-20°C~+60°C
Humidity	99%
Altitude	2000M
Installation	Wall Mounting



BHS-6/1

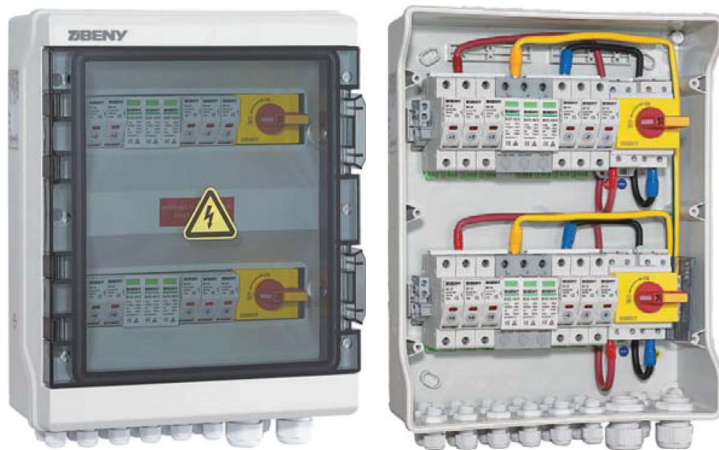


# Solar Combiner Box

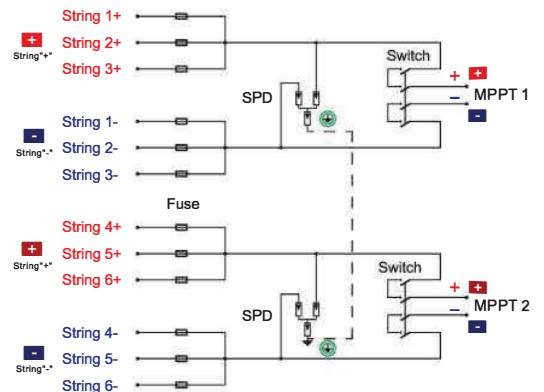
## 6 in 2 out DC 1000V



General Data		DC Surge Arrester	BUD-40/3
Model No.	BHS-6/2	Max Operation Voltage (Ucpv)	1000V
Input	6 strings	Standard Compliance with	EN 50539 Type 2
Output	2 strings	Maximum Discharge Current	40 KA
Maximum Voltage	1000V	Certification	TUV CE
Max DC Short Circuit Current Per Input (Isc)	15A (Changeable)		
Maximum Current Output	32A		
Enclosure		DC fuse holder	BR-30
Material Type	Polycarbonate/ABS	LED Indicator	Yes
Degree of Protection	IP65	Rated Working Voltage	1000V
Degree of Resistance to Impacts	IK10	Fuse Link	10x38mm LITTEL 15A
Dimension (WxHxD)	292 x 370x 132mm	Certification	UL, CB, CE
Cable input Entry	PG09 Cable Gland, 2.5-16mm <sup>2</sup>		
Output Cable Gland	PG21 2.5-16mm <sup>2</sup>		
DC Switch Disconnecter		Environment	
Rated Insulation Voltage (Ui)	1000V	Operating Temperature	-20°C~+60°C
Rated Current (Ie)	32A	Humidity	99%
Category	DC21B/PV2	Altitude	2000M
Standard Compliance with	IEC 60947-3	Installation	Wall Mounting
Certification	UL, TUV, KEMA, SAA, CE		



BHS-6/2



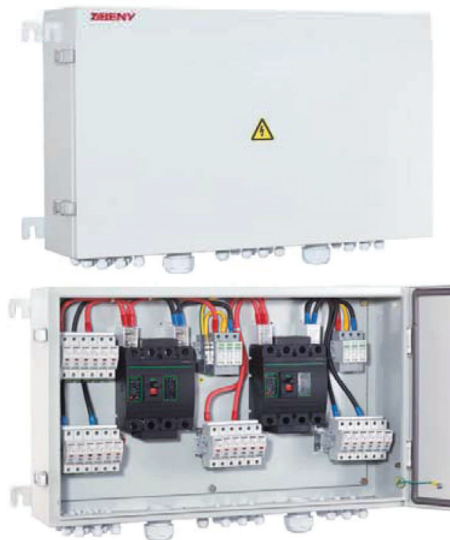


# Solar Combiner Box

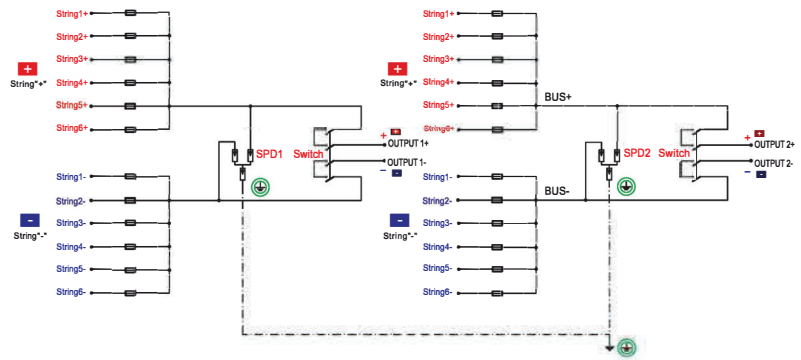
## 12 in 2 out DC 1000V



General Data		DC Surge Arrester	BUD-40/3
Model No.	BHT-12/2	Max Operation Voltage (Ucpv)	1000V
Input	12 strings	Standard Compliance with	EN 50539 Type 2
Output	2 strings	Maximum Discharge Current	40 KA
Maximum Voltage	1000V	Certification	TUV CE
Max DC Short Circuit Current Per Input (Isc)	15A (Changeable)	String Monitoring Device	Yes (optional)
Maximum Current Output	125A	Diode for the Function of Anti-Reflux	Yes (optional)
Enclosure		DC fuse holder	BR-30
Material Type	Metal	LED Indicator	Yes
Degree of Protection	IP65	Rated Working Voltage	1000V
Degree of Resistance to Impacts	IK10	Fuse Link	10x38mm LITTEL 15A
Dimension (WxHxD)	750x450x180mm	Certification	UL, CB, CE
Cable input Entry	PG09 Cable Gland, 2.5-16mm <sup>2</sup>		
Output Cable Gland	PG36 50-70mm <sup>2</sup>		
DC Switch Disconnecter		Environment	
Rated Insulation Voltage (Ui)	1000V	Operating Temperature	-20°C~+60°C
Rated Current (Ie)	125A	Humidity	99%
Standard Compliance with	IEC 60947-3	Altitude	2000M
Certification	CB	Installation	Wall Mounting



BHT-12/2





# Solar DC Combiner Box with Monitoring

16 in 1 out DC 1000V



### General Data

Model No.	BHTZ-16/1
Input	16 strings
Output	1 string
Maximum Voltage	1000V
Max DC Short Circuit Current Per Input (Isc)	15A (Changeable)
Maximum Current Output	250A

### DC Surge Arrester

Max Operation Voltage (Ucpv)	1000V
Standard Compliance with	EN 50539 Type 2
Maximum Discharge Current	40 KA
Certification	TUV CE
String Monitoring Device	Yes (optional)
Diode for the Function of Anti-Reflux	Yes (optional)

### BUD-40/3

### Enclosure

Material Type	Metal
Degree of Protection	IP65
Degree of Resistance to Impacts	IK10
Dimension (WxHxD)	650 x 600x 210mm
Cable input Entry	PG09 Cable Gland, 2.5-16mm <sup>2</sup>
Output Cable Gland	PG36 50-70mm <sup>2</sup>

### DC fuse holder

LED Indicator	Yes
Rated Working Voltage	1000V
Fuse Link	10x38mm LITTEL 15A
Certification	UL, CB, CE

### BR-30

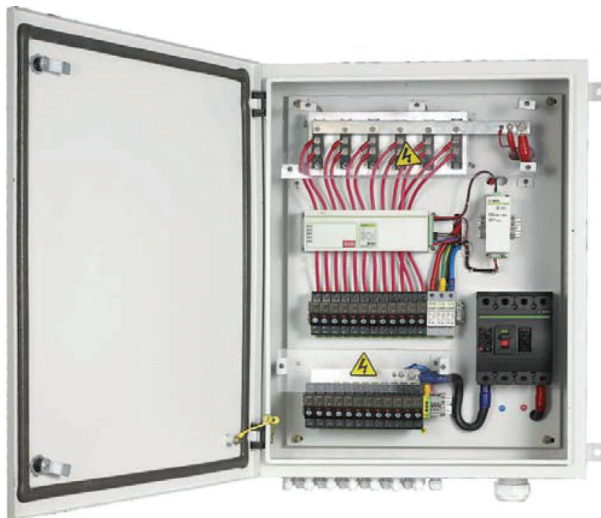
### DC Switch Disconnecter

Rated Insulation Voltage (Ui)	1000V
Rated Current (Ie)	250A
Standard Compliance with	IEC 60947-3
Certification	CB

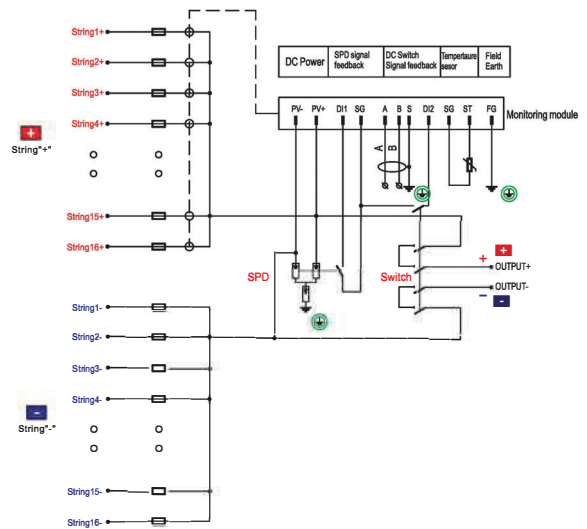
### BDH-250

### Environment

Operating Temperature	-20°C~+60°C
Humidity	99%
Altitude	2000M
Installation	Wall Mounting



BHTZ-16/1





# Solar DC Combiner Box with Monitoring

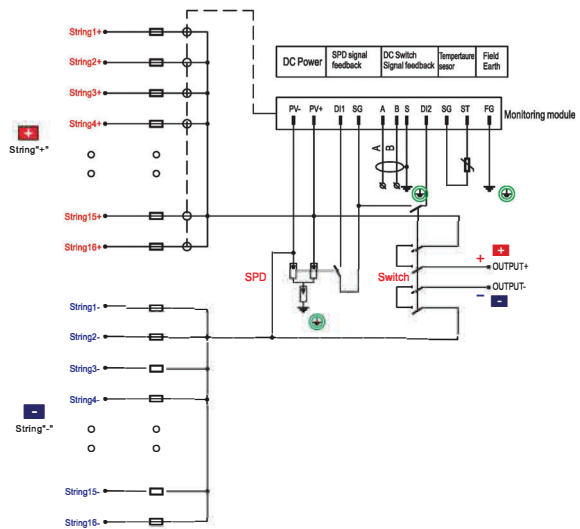
16 In 1 Out DC 1500V



General Data		DC Surge Arrester	BUD-1500
Model No.	BHTZ-16/1 1500V	Max Operation Voltage (Ucpv)	1500V
Input	16 strings	Standard Compliance with	EN 50539 Type 2
Output	1 string	Maximum Discharge Current	40 KA
Maximum Voltage	1500V	Certification	TUV CE
Max DC Short Circuit Current Per Input (Isc)	15A (Changeable)	String Monitoring Device	Yes (optional)
Maximum Current Output	250A	Diode for the Function of Anti-Reflux	Yes (optional)
Enclosure		DC fuse holder	
Material Type	Metal	LED Indicator	Yes
Degree of Protection	IP65	Rated Working Voltage	1500V
Degree of Resistance to Impacts	IK10	Fuse Link	BUSSMAN 1500V 15A
Dimension (WxHxD)	1000 x 670x 300mm	Certification	UL,CB,CE
Cable input Entry	PG09 Cable Gland, 2.5-16mm <sup>2</sup>		
Output Cable Gland	PG36 50-70mm <sup>2</sup>		
DC Switch Disconnecter		Environment	
Rated Insulation Voltage (Ui)	1500V	Operating Temperature	-20°C~+60°C
Rated Current (Ie)	250A	Humidity	99%
Standard Compliance with	IEC 60947-3	Altitude	2000M
Certification	UL TUV CE	Installation	Wall Mounting



BHTZ-16/1 1500V





## Solar DC Switch Box



### General Data

Model No.	BHS-2
Input	4 string or 2 string
Output	4 string or 2 string
Maximum Voltage	1000V
Maximum Current Output	32A

### Enclosure BX-08

Material Type	Polycarbonate/ABS
Degree of Protection	IP65
Degree of Resistance to Impacts	IK10
Dimension (WxHxD)	210 x 194 x 120mm

<b>DC Switch Disconnector</b>	<b>BYT.2-32</b>
Rated Insulation Voltage (Ui)	1000V
Rated Current (Ie)	32A
Category	DC21B/PV2
Standard Compliance with	IEC 60947-3
Certification	UL, TUV, KEMA, SAA, CE

<b>Environment</b>	
Operating Temperature	-20°C~+60°C
Humidity	99%
Altitude	2000M
Installation	Wall Mounting



BHS-2



## Solar DC Switch Box



### General Data

Model No.	BHS-3
Input	3 string or 6 string
Output	3 string or 6 string
Maximum Voltage	1000V
Maximum Current Output	32A

### Enclosure

### BX-15

Material Type	Polycarbonate/ABS
Degree of Protection	IP65
Degree of Resistance to Impacts	IK10
Dimension (WxHxD)	331 x 210 x 122mm

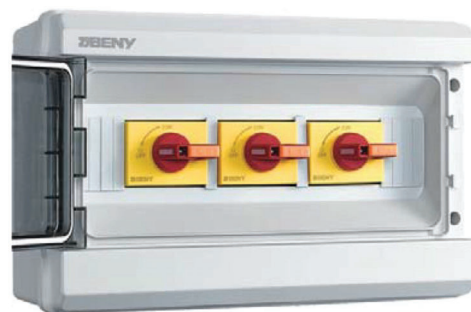
### DC Switch Disconnecter

### BYT.2-32

Rated Insulation Voltage (Ui)	1000V
Rated Current (Ie)	32A
Category	DC21B/PV2
Standard Compliance with	IEC 60947-3
Certification	UL, TUV, KEMA, SAA, CE

### Environment

Operating Temperature	-20°C~+60°C
Humidity	99%
Altitude	2000M
Installation	Wall Mounting



BHS-3



# Solar DC String Box

## 3 in 3 out



### General Data

Model No.	BHS-3/3
Input	3 strings
Output	3 strings
Maximum Voltage	1000V
Max DC Short Circuit Current Per Input (Isc)	15A (Changeable)
Maximum Current Output	32A

### Enclosure

Material Type	Polycarbonate/ABS
Degree of Protection	IP65
Degree of Resistance to Impacts	IK10
Dimension (WxHxD)	292 x 370 x 132mm
Cable input Entry	PG09 Cable Gland, 2.5-16mm <sup>2</sup>
Output Cable Gland	PG21 2.5-16mm <sup>2</sup>

### DC fuse holder

LED Indicator	Yes
Rated Working Voltage	1000V
Fuse Link	10x38mm LITTEL 15A
Certification	UL,CB,CE

### BR-30

### DC Switch Disconnecter

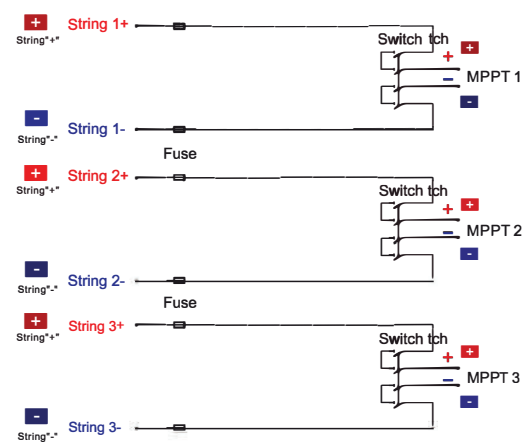
Rated Insulation Voltage (Ui)	1000V
Rated Current (Ie)	32A
Category	DC21B/PV2
Standard Compliance with	IEC 60947-3
Certification	UL, TUV,KEMA,SAA,CE

### Environment

Operating Temperature	-20°C~+60°C
Humidity	99%
Altitude	2000M
Installation	Wall Mounting



BHS-3/3





## Solar DC String Box

4 in 4 out



### General Data

Model No.	BHS-4
Input	4 strings
Output	4 strings
Maximum Voltage	1000V
Maximum Current Output	32A

### Enclosure

### BX-26

Material Type	Polycarbonate/ABS
Degree of Protection	IP65
Degree of Resistance to Impacts	IK10
Dimension (WxHxD)	292 x 370 x 132mm

### DC Switch Disconnecter

### BYT.2-32

Rated Insulation Voltage (Ui)	1000V
Rated Current (Ie)	32A
Category	DC21B/PV2
Standard Compliance with	IEC 60947-3
Certification	UL, TUV, KEMA, SAA, CE

### Environment

Operating Temperature	-20°C~+60°C
Humidity	99%
Altitude	2000M
Installation	Wall Mounting



BHS-4



## Solar DC String Box

6 in 6 out 1000V



### General Data

Model No.	BHS-6
Input	6 strings
Output	6 strings
Maximum Voltage	1000V
Maximum Current Output	32A

### Enclosure

### BX-26

Material Type	Polycarbonate/ABS
Degree of Protection	IP65
Degree of Resistance to Impacts	IK10
Dimension (WxHxD)	292 x 370 x 132mm

### DC Switch Disconnecter

### BYT.2-32

Rated Insulation Voltage (Ui)	1000V
Rated Current (Ie)	32A
Category	DC21B/PV2
Standard Compliance with	IEC 60947-3
Certification	UL, TUV, KEMA, SAA, CE

### Environment

Operating Temperature	-20°C~+60°C
Humidity	99%
Altitude	2000M
Installation	Wall Mounting



BHS-6



# Solar DC String Box

1 in 1 out 600V



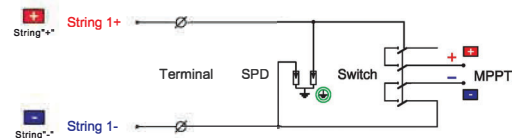
General Data		DC Surge Arrester	BUD-40/2
Model No.	BHS-1M 600V	Max Operation Voltage (Ucpv)	600V
Input	1 string	Standard Compliance with	EN 50539 Type 2
Output	1 string	Maximum Discharge Current	40 KA
Maximum Voltage	600V	Certification	TUV CE
Maximum Current Output	32A		

Enclosure	BX-08	Environment	
Material Type	Polycarbonate/ABS	Operating Temperature	-20°C~+60°C
Degree of Protection	IP65	Humidity	99%
Degree of Resistance to Impacts	IK10	Altitude	2000M
Dimension (WxHxD)	210 x 194 x 120mm	Installation	Wall Mounting
Cable input Entry	MC4		
Output Cable Gland	MC4		

DC Switch Disconnecter	BYT.2-32/BYS
Rated Insulation Voltage (Ui)	600V
Rated Current (Ie)	32A
Category	DC21B/PV2
Standard Compliance with	IEC 60947-3
Certification	UL, TUV,KEMA,SAA,CE



BHS-1/1M 600V





## Solar DC Combiner Box

2 in 1 out 600V



### General Data

Model No.	BHS-2M 600V
Input	2 string
Output	1 string
Maximum Voltage	600V
Maximum Current Output	32A

### DC Surge Arrester

Max Operation Voltage (Ucpv)	600V
Standard Compliance with	EN 50539 Type 2
Maximum Discharge Current	40 KA
Certification	TUV CE

### BUD-40/2

### Enclosure

Material Type	Polycarbonate/ABS
Degree of Protection	IP65
Degree of Resistance to Impacts	IK10
Dimension (WxHxD)	210 x 194 x 120mm
Input	MC4
Output	MC4

### BX-08

### Environment

Operating Temperature	-20°C~+60°C
Humidity	99%
Altitude	2000M
Installation	Wall Mounting

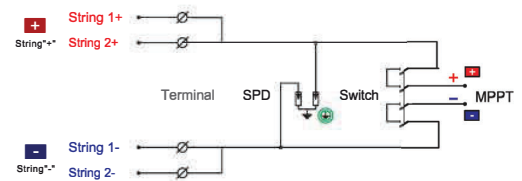
### DC Switch Disconnecter

Rated Insulation Voltage (Ui)	600V
Rated Current (Ie)	32A
Category	DC21B/PV2
Standard Compliance with	IEC 60947-3
Certification	UL, TUV,KEMA,SAA,CE

### BYT.2-32/BYS



BHS-2/1M 600V





# Solar DC String Box

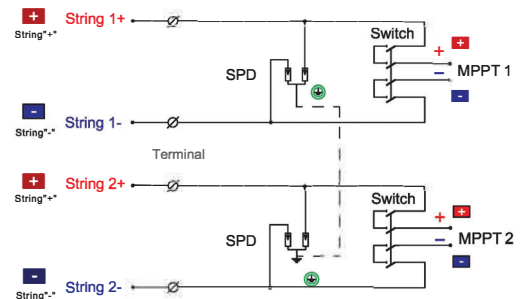
## 2 in 2 out 600V



General Data		DC Surge Arrester	BUD-40/2
Model No.	BHS-2M 600V	Max Operation Voltage (Ucpv)	600V
Input	2 string	Standard Compliance with	EN 50539 Type 2
Output	2 string	Maximum Discharge Current	40 KA
Maximum Voltage	600V	Certification	TUV CE
Maximum Current Output	32A		

Enclosure	BX-15	Environment	
Material Type	Polycarbonate/ABS	Operating Temperature	-20°C~+60°C
Degree of Protection	IP65	Humidity	99%
Degree of Resistance to Impacts	IK10	Altitude	2000M
Dimension (WxHxD)	331 x 210 x 122mm	Installation	Wall Mounting
Inputl	MC4		
Outputl	MC4		

DC Switch Disconnecter	BYT.2-32
Rated Insulation Voltage (Ui)	600V
Rated Current (Ie)	32A
Category	DC21B/PV2
Standard Compliance with	IEC 60947-3
Certification	UL, TUV,KEMA,SAA,CE



**BHS-2-2M 600V**



## PV Waterproof Box 08 Modules



### Protection

Protection class	IP 65
Insulation	Class II
Material	polycarbonate/ABS
Shock resistance	IK10
Protection against chemicals and weather conditions	Water, saline solutions, acids, basics, mineral oils, UV rays
Operating temperature	-25°C~+100°C

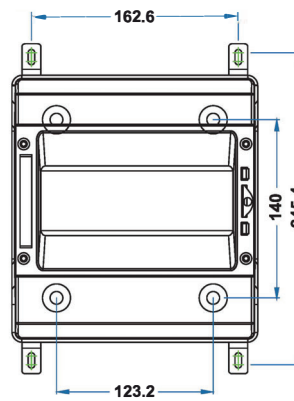
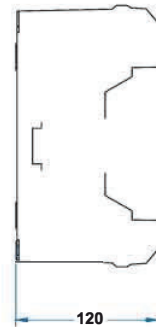
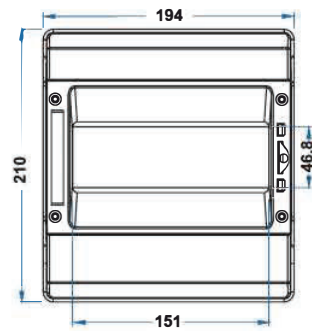
### Performance

Nominal insulation voltage	1000V AC~1500V DC
Flexibility WxHxD, external dimensions	210x194x120mm

Unit:mm



BX08





## PV Waterproof Box 13 Modules



### Protection

Protection class	IP 65
Insulation	Class II
Material	polycarbonate/ABS
Shock resistance	IK10
Protection against chemicals and weather conditions	Water, saline solutions, acids, basics, mineral oils, UV rays
Operating temperature	-25°C~+100°C

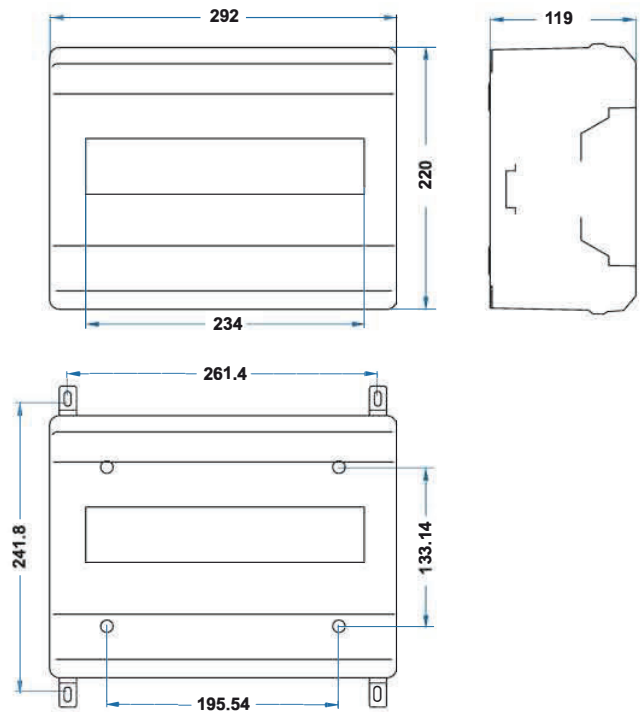
### Performance

Nominal insulation voltage	1000V AC~1500V DC
Flexibility WxHxD, external dimensions	292x220x119mm

Unit:mm



BX13





## PV Waterproof Box 15 Modules



### Protection

Protection class	IP 65
Insulation	Class II
Material	polycarbonate/ABS
Shock resistance	IK10
Protection against chemicals and weather conditions	Water, saline solutions, acids, basics, mineral oils, UV rays
Operating temperature	-25°C~+100°C

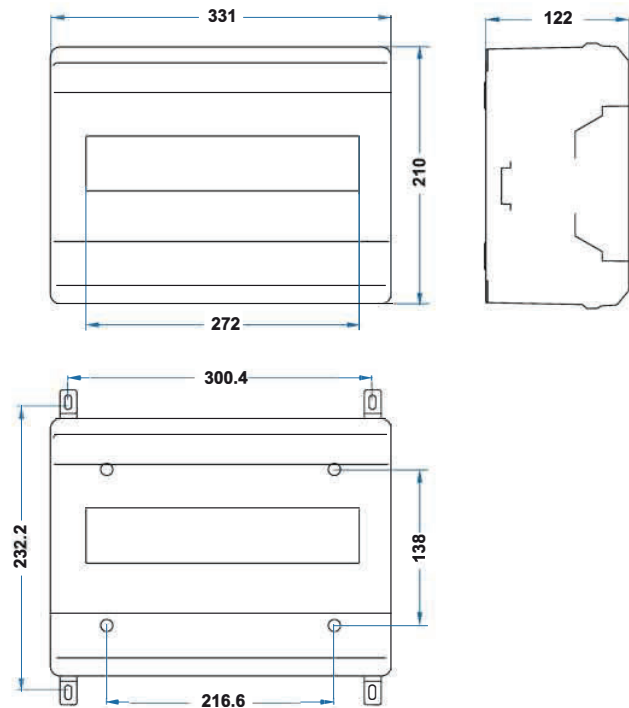
### Performance

Nominal insulation voltage	1000V AC~1500V DC
Flexibility WxHxD, external dimensions	331x210x122mm

Unit:mm



BX15





## PV Waterproof Box 26 Modules



### Protection

Protection class	IP65
Insulation	Class II
Material	polycarbonate/ABS
Shock resistance	IK10
Protection against chemicals and weather conditions	Water, saline solutions, acids, basics, mineral oils, UV rays
Operating temperature	-25°C~+100°C

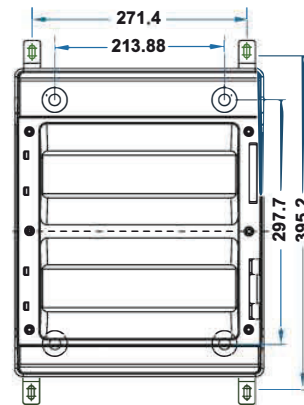
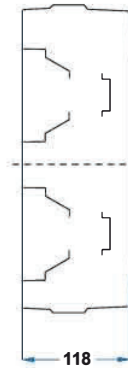
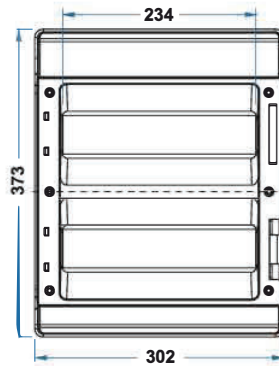
### Performance

Nominal insulation voltage	1000V AC~1500V DC
Flexibility WxHxD, external dimensions	302x373x118mm

Unit:mm



BX26





# PV Waterproof Box

## 39 Modules



### Protection

Protection class	IP 65
Insulation	Class II
Material	polycarbonate/ABS
Shock resistance	IK10
Protection against chemicals and weather conditions	Water, saline solutions, acids, basics, mineral oils, UV rays
Operating temperature	-25°C~+100°C

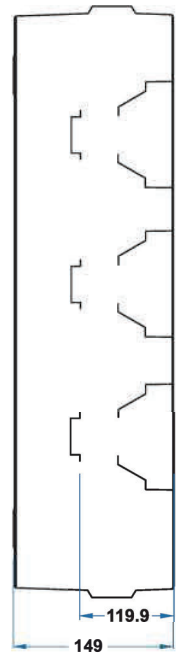
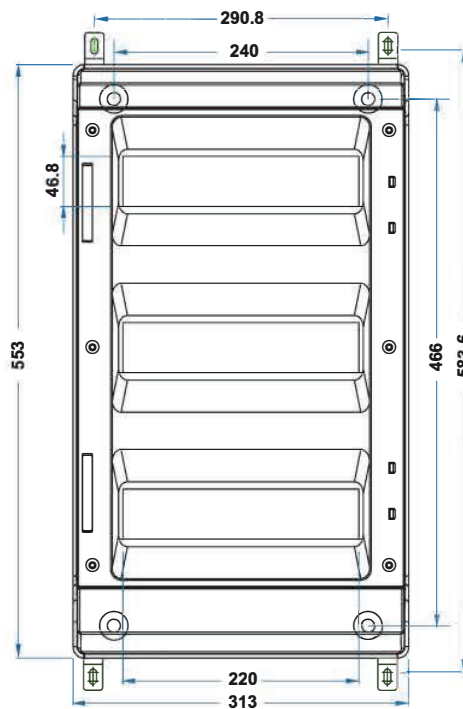
### Performance

Nominal insulation voltage	1000V AC~1500V DC
Flexibility WxHxD, external dimensions	313x553x149mm

Unit:mm



**BX39**





# AC Box

## BBWX AC Distribution Box



### General Data

Model No.	BBWX
Rated Voltage	AC 220V~400V
Rated Current	0-125A
Rated frequency	50-60Hz

### AC Surge Arrester

Electric rating	220V~440V, 50-60HZ
Maximum Discharge Current	40 KA
Standard Compliance with	EN 61643-11
Certification	CE

### Enclosure

Material Type	Polycarbonate/ABS
Degree of Protection	IP65
Degree of Resistance to Impacts	IK10
Dimension (WxHxD)	292 x 220x 120mm
Cable input Entry	PG25 2.5-25mm <sup>2</sup>
Output Cable Gland	PG25 2.5-25mm <sup>2</sup>

### Environment

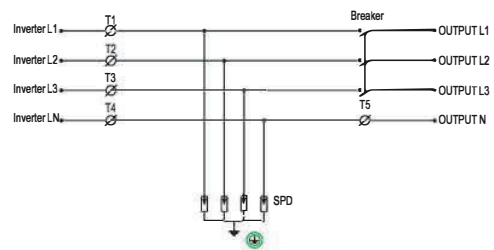
Operating Temperature	-20°C~+60°C
Humidity	99%
Altitude	2000M
Installation	Wall Mounting

### Modular measurement and control relays

Network number of phases	Single Phase/3 Phases
Rated Current	0-125A
Measurement range	220V~400V voltage AC
Supply frequency	50~60 Hz ± 10%



BBWX





# AC Box BBWX-1 AC Distribution Box



### General Data

Model No.	BBWX-1
Main circuit rated Voltage	AC 230V/400V
Auxiliary circuit rated voltage	AC230V
Rated Current	0-500A
Rated frequency	50-60Hz

### AC Surge Arrester

Electric rating	220V~400V, 50-60HZ, 3 phase
Maximum Discharge Current	40 KA
Standard Compliance with	EN 61643
Certification	CE

### Enclosure

Material Type	Metal
Degree of Protection	IP65

### Power Meter

Rated supply voltage (Us)	100~277 V AC(45~65 Hz)/173~480 V AC(45~65 Hz)
Network frequency	50 Hz /60 Hz
Rated current (In)	1 A /5 A
Poles description	3P /3P + N
Power consumption in VA	5 VA
Display type	Backlit LCD

### Modular measurement and control relays NH40

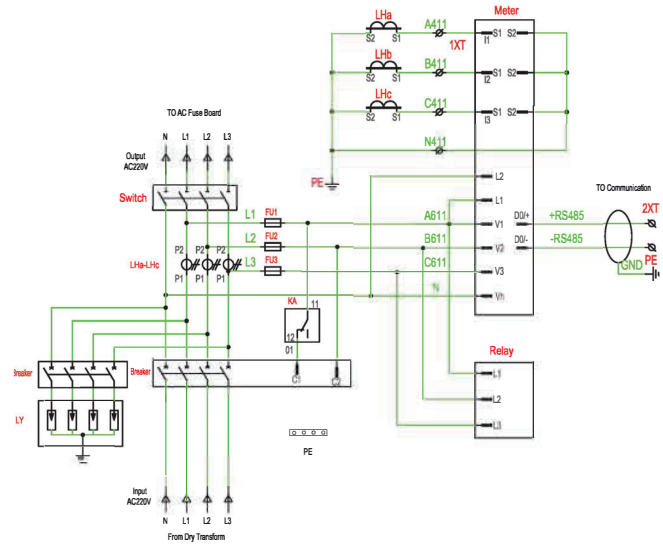
Network number of phases	3 phases
Rated Current	0-500A
Measurement range	220V~400V voltage AC
Supply frequency	50~60 Hz +/- 10 %

### Environment

Operating Temperature	-20°C~+60°C
Humidity	99%
Altitude	2000M
Installation	Wall Mounting



BBWX-1





# AC Combiner box BBWX-4



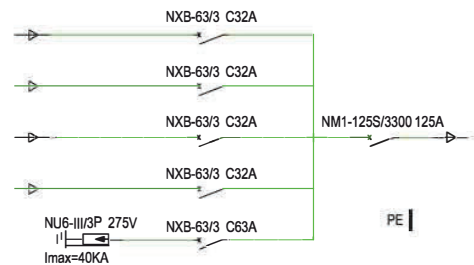
General Data		Relay	
Model No.	BBWX-4	Relay function	Phase sequence detection, overvoltage, undervoltage protection, phase loss protection
Rated Voltage	400V/480V/690VAC	Metering	Optional
Rated Current Per Input	0-100A		
Input	4 strings		
Output	1 string		

Electrical Characteristics		Enclosure	
Applicable system	Three-phase four-wire / three-phase five-wire	Material Type	304 stainless steel, cold rolled steel, galvanized steel
Maximum Breaking Capacity Input	MCCB 35KA(400V); 8KA(690V)	Degree of Protection	IP65
Maximum Breaking Capacity Output	MCCB 50KA(400V); 10KA(690V)		
AC Surge Arrester(B/20μs)	T2, In=20KA, I <sub>max</sub> =40KA		

Rated Insulation level		Environment	
Electrical insulation	Clearance >14mm, creepage distance >25mm	Operating Temperature	-20°C~+50°C
Main circuit to earthing	AC3000V 5s	Altitude	≤2000m
Between phases	AC3000V 5s	Installation	Wall Mounting



BBWX-4





# AC Combiner box BBWX-6



### General Data

Model No.	BBWX-6
Rated Voltage	400V/480V/690VAC
Rated Current Per Input	0-100A
Input	6 strings
Output	1 string

### Relay

Relay function	Phase sequence detection, overvoltage, undervoltage protection, phase loss protection
Metering	Optional

### Electrical Characteristics

Applicable system	Three-phase four-wire / three-phase five-wire
Maximum Breaking Capacity Input	MCCB 35KA(400V); 8KA(690V)
Maximum Breaking Capacity Output	MCCB 50KA(400V); 10KA(690V)
AC Surge Arrester(8/20 $\mu$ s)	T2, In=20KA, Imax=40KA

### Enclosure

Material Type	304 stainless steel, cold rolled steel, galvanized steel
Degree of Protection	IP65

### Rated Insulation level

Electrical insulation	Clearance $\geq$ 14mm, creepage distance $\geq$ 25mm
Main circuit to earthing	AC3000V 5s
Between phases	AC3000V 5s

### Environment

Operating Temperature	-20°C~+50°C
Altitude	$\leq$ 2000m
Installation	Wall Mounting



BBWX-6

